

**BROEN  
UNIFLEX™  
FITTINGS  
FOR WATER**
















**BROEN UNIFLEX™ FITTINGS FOR WATER**

**BROEN UNIFLEX™ FITTINGS FOR WATER**



**BROEN**

INTELLIGENT FLOW SOLUTIONS

<b>Content</b>	<b>Page</b>
Table of Content	2
BROEN UniFlex™ BASIC	4
Product Overview	5
<b>Water Fittings</b>	
Bench Mounted Fitting with Swivel Spout..... 	6
Bench Fitting Mounted on a Column..... 	7
Two Valve Bench Mounted Fitting on a U-Shaped Column..... 	8
Two Valve Bench Mounted Fitting on a Tee-shaped Column..... 	9
Bench Mounted Fitting on a Column with Swivel Spout..... 	10
Three Valve Bench Mounted Fitting..... 	11
Wall Mounted Fitting..... 	12
Two Handle Bench Mounted One Hole Mixer with Swivel Spout..... 	13
Suspended 2-Valve Fitting..... 	14
Single Handle Mixer Bench Mounted..... 	16
Single Handle Mixer Bench Mounted with Hand Shower..... 	17
One Handle Two Hole Mixer with Swivel Spout..... 	18
One Handle Mixer with Swivel Spout..... 	19
Water Fittings - Standard Boss..... 	20
Water Mixers - Standard Boss..... 	21
<b>BROEN UniFlex™ Hoses for Water</b>	22-23
<b>Headwork</b>	
Plastic Handle.....	24
Wrist Action Lever	25
<b>Accessories / Spare Parts</b>	
26	
<b>Ordering Information</b>	
BROEN UniFlex™ Fittings	27

**BASIC**

**BROEN UNIFLEX™ FITTING FOR WATER**



**THIS IS BROEN UNIFLEX™ BASIC**

BROEN UniFlex™ BASIC line offers high quality and durability combined with the complete program, which adds up to low LCC (Life Cycle Costs).

**BROEN UNIFLEX™ FITTINGS FOR WATER**



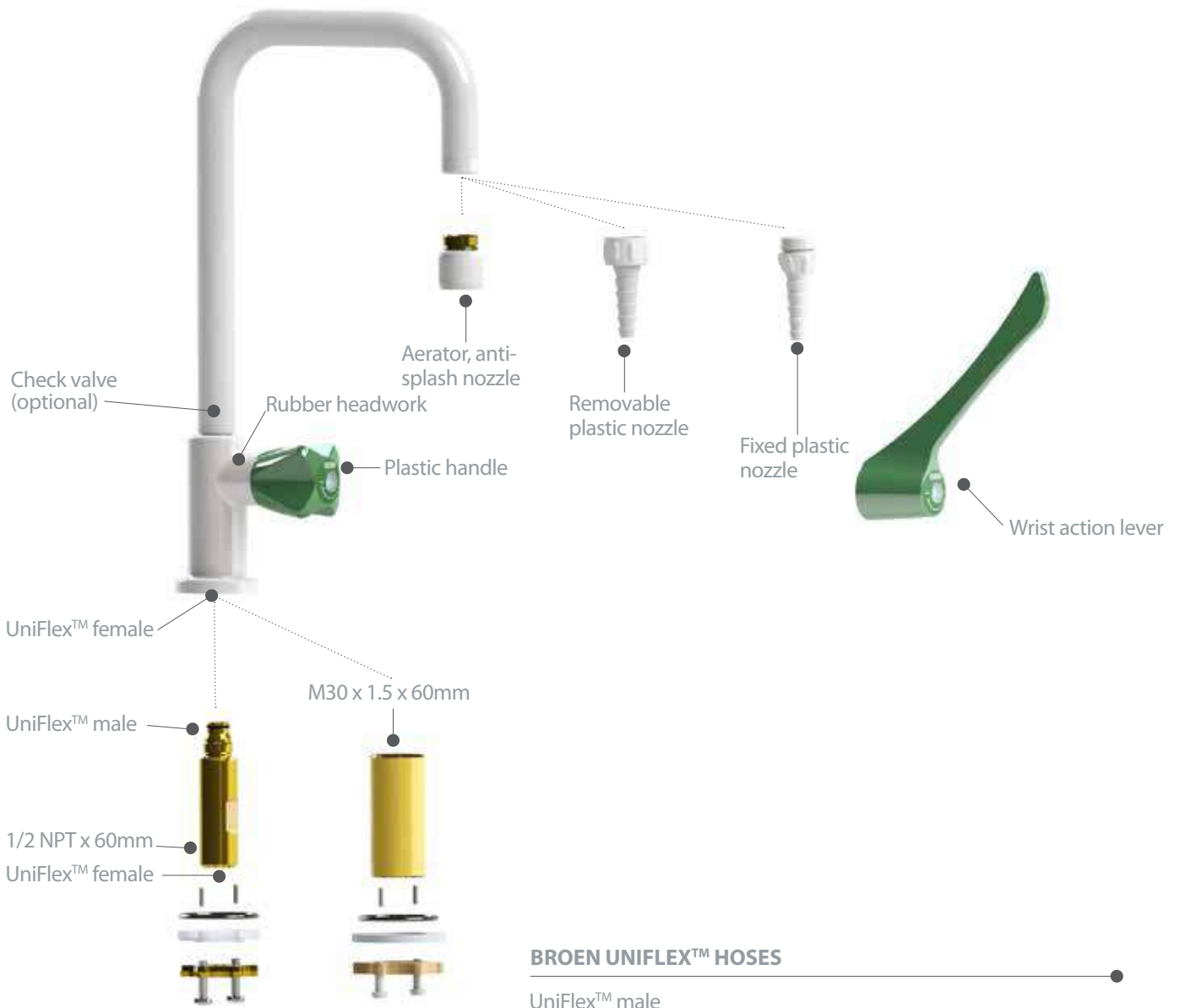
The operation and the configuration of the BROEN UniFlex™ BASIC fittings are highly adapted to the requirements of modern laboratories in the educational sector.

The fittings are manufactured of the highest quality materials. The surface of laboratory fittings is treated with BROEN POLYCOAT powder coating, which makes the surface highly resistant to most chemicals, UV fading and heat.

Most BROEN UniFlex™ BASIC fittings for water are as a standard delivered with a fixed plastic hose nozzle and a plastic handle. As an option it is possible to get water fittings with an integrated check valve, which prevents backflow. The fittings are delivered with easy-to-mount anti-rotational mounting kit.

**THIS IS BROEN UNIFLEX™**

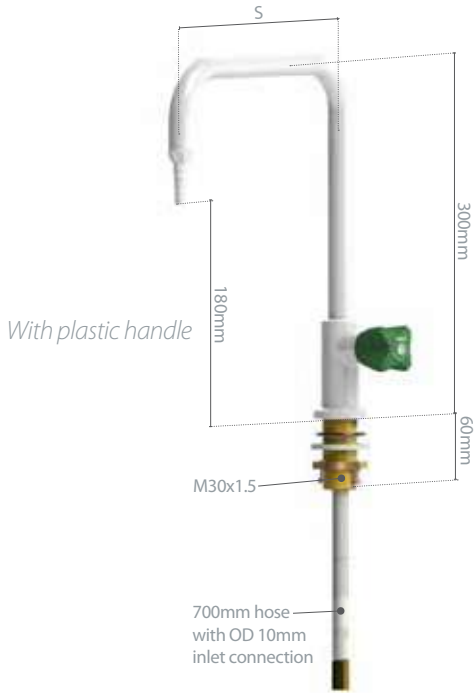
BROEN UniFlex™ is a unique and patented connection, which allows customers to choose from various connection methods, such as hoses, Cu, PEX or Stainless Steel pipes, without changing the valve itself. It provides unique flexibility, not only for the installer, but also for the end-user. Due to the flexibility of the system, the quick installation and savings on fittings, this system offers lower TIC (Total Installed Costs).



BROEN UNIFLEX™ FITTINGS FOR WATER

BROEN UNIFLEX™ HOSES





**SPECIFICATIONS**

- Handle:** Plastic, with media indication according to EN13792
- Spout:** Full swivel action
- Hose nozzle:** Fixed plastic (can be unscrewed by hand, thread: male G3/8)
- Headwork:** Rubber (wrist action lever: ceramic)
- Opening/closing function:** 2 x 360° (wrist action lever: 90°)
- Temperature range:** 0-65°C
- Max. working pressure:** 10 bar / 147 psi
- Test pressure:** 1 x working pressure
- Weight:** 1.4 kg

**MATERIALS WITH MEDIA CONTACT**

- Metals:** Brass
- Plastics:** PP, PTFE, SPX (hose)
- Sealing:** EPDM
- Lubricant:** Silicone based
- Ceramics:** Al<sub>2</sub>O<sub>3</sub> 96% (wrist action lever only)

**ORDERING INFORMATION**

For standard configuration please refer to the item numbers below.

Other options:

- aerator
- removable plastic hose nozzle
- integrated non-return valve
- fixed spout (rear, left or right)
- alternative hose inlet connection / without a hose
- other inlet options (type, length)
- national approvals
- WPH (Water Potable Hot)
- WNH (Water Non-Potable Hot)

**BROEN UNIFLEX™ FITTINGS FOR WATER**

With wrist action lever



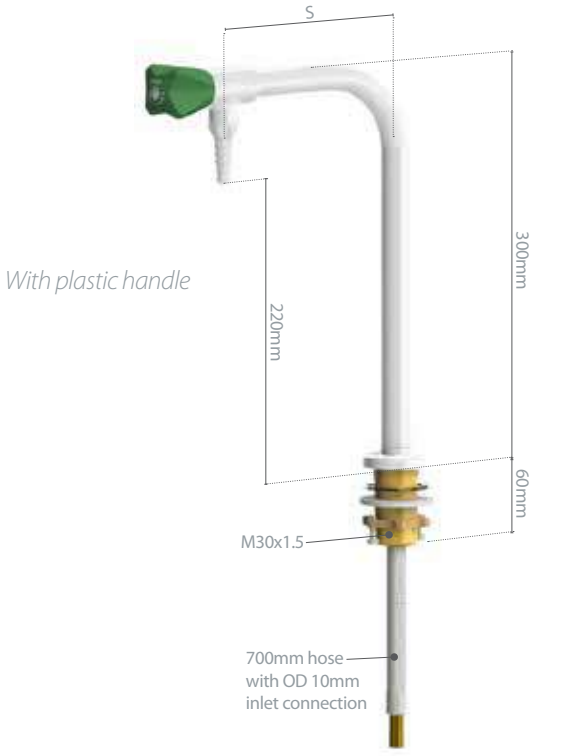
**Model:** Plastic handle

Media	S = 150mm	S = 200mm	S = 250mm	S = 300mm
Potable water, cold	2534 008 1001-52B	2534 084 1001-52B	2534 085 1001-52B	2534 086 1001-52B
Non-potable water, cold	2534 008 1007-52B	2534 084 1007-52B	2534 085 1007-52B	2534 086 1007-52B

**Model:** Wrist action lever

Media	S = 150mm	S = 200mm	S = 250mm	S = 300mm
Potable water, cold	2534 087 1001-52B	2534 088 1001-52B	2534 089 1001-52B	2534 083 1001-52B
Non-potable water, cold	2534 087 1007-52B	2534 088 1007-52B	2534 089 1007-52B	2534 083 1007-52B

For further information and mounting instructions please refer to [www.BROEN.com](http://www.BROEN.com) or contact your local BROEN LAB representative.



With plastic handle

**SPECIFICATIONS**

- Handle:** Plastic, with media indication according to EN13792
- Hose nozzle:** Fixed plastic (can be unscrewed by hand, thread: male G3/8)
- Headwork:** Rubber (wrist action lever: ceramic)
- Opening/closing function:** 2 x 360° (wrist action lever: 90°)
- Temperature range:** 0-65°C
- Max. working pressure:** 10 bar / 147 psi
- Test pressure:** 1 x working pressure
- Weight:** 1.5 kg

**MATERIALS WITH MEDIA CONTACT**

- Metals:** Brass
- Plastics:** PP, SPX (hose)
- Sealing:** EPDM
- Lubricant:** Silicone based
- Ceramics:** Al<sub>2</sub>O<sub>3</sub> 96% (wrist action lever only)

**ORDERING INFORMATION**

For standard configuration please refer to the item numbers below.

- Other options:
- aerator
  - removable plastic hose nozzle
  - integrated non-return valve
  - alternative hose inlet connection / without a hose
  - other inlet options (type, length)
  - national approvals
  - WPH (Water Potable Hot)
  - WNH (Water Non-Potable Hot)



With wrist action lever

**Model:** Plastic handle

**BROEN UNIFLEX™ FITTINGS FOR WATER**

Media	S = 150mm	S = 200mm
Potable water, cold	2533 085 1001-52B	2533 097 1001-52B
Non-potable water, cold	2533 085 1007-52B	2533 097 1007-52B

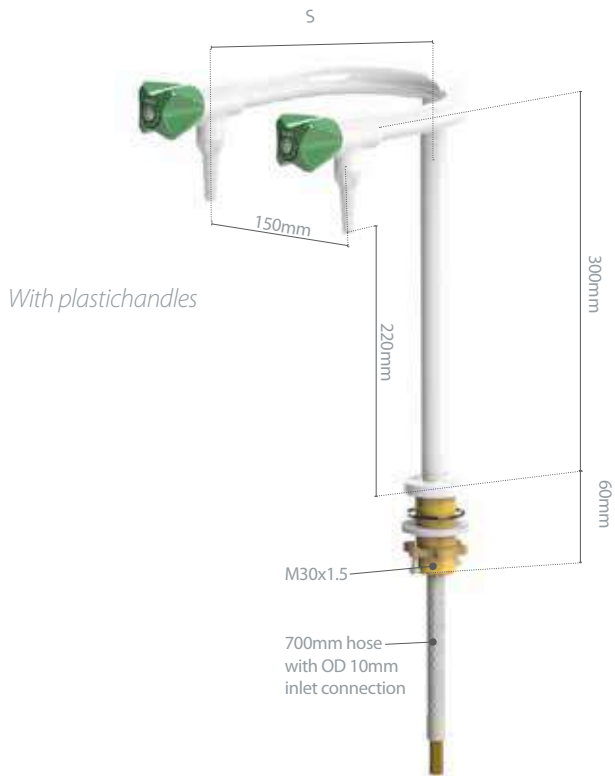
**Model:** Wrist action lever

Media	S = 150mm	S = 200mm
Potable water, cold	2533 095 1001-52B	2533 147 1001-52B
Non-potable water, cold	2533 095 1007-52B	2533 147 1007-52B

For further information and mounting instructions please refer to [www.BROEN.com](http://www.BROEN.com) or contact your local BROEN LAB representative.



# TWO VALVE BENCH MOUNTED FITTING ON A U-SHAPED COLUMN



With plastic handles

## SPECIFICATIONS

- Handle:** Plastic, with media indication according to EN13792
- Hose nozzle:** Fixed plastic (can be unscrewed by hand, thread: male G3/8)
- Headwork:** Rubber (wrist action lever: ceramic)
- Opening/closing function:** 2 x 360° (wrist action lever: 90°)
- Temperature range:** 0-65°C
- Max. working pressure:** 10 bar / 147 psi
- Test pressure:** 1 x working pressure
- Weight:** 2.5 kg

## MATERIALS WITH MEDIA CONTACT

- Metals:** Brass
- Plastics:** PP, SPX (hose)
- Sealing:** EPDM
- Lubricant:** Silicone based
- Ceramics:** Al<sub>2</sub>O<sub>3</sub> 96% (wrist action lever only)

## ORDERING INFORMATION

For standard configuration please refer to the item numbers below.

Other options:

- aerator
- removable plastic hose nozzle
- integrated non-return valve
- alternative hose inlet connection / without a hose
- other inlet options (type, length)
- national approvals
- WPH (Water Potable Hot)
- WNH (Water Non-Potable Hot)



With wrist action levers

Model: Plastic handle



BROEN UNIFLEX™ FITTINGS FOR WATER

Media	S = 150mm	S = 200mm
Potable water, cold	2533 086 1001-52B	2533 149 1001-52B
Non-potable water, cold	2533 086 1007-52B	2533 149 1007-52B

Model: Wrist action lever

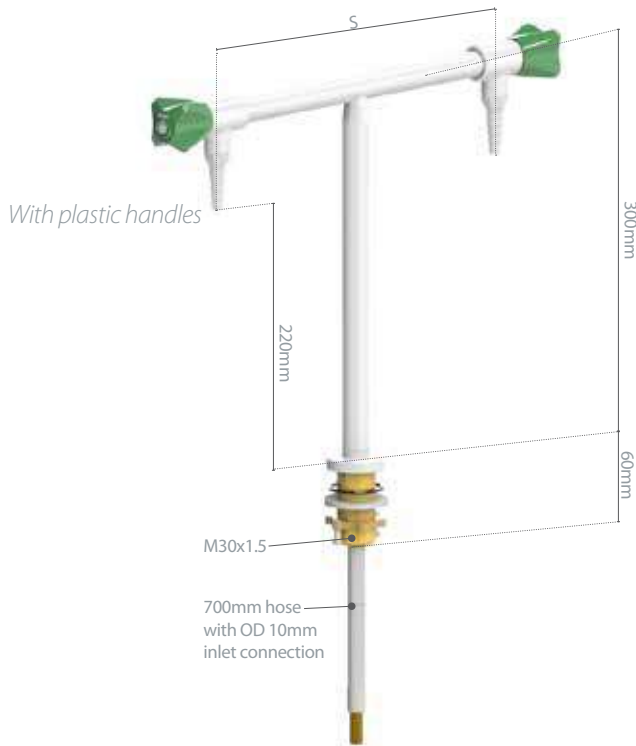


Media	S = 150mm	S = 200mm
Potable water, cold	2533 148 1001-52B	2533 150 1001-52B
Non-potable water, cold	2533 148 1007-52B	2533 150 1007-52B

For further information and mounting instructions please refer to [www.BROEN.com](http://www.BROEN.com) or contact your local BROEN LAB representative.



# TWO VALVE BENCH MOUNTED FITTING ON A TEE-SHAPED COMLUMN



## SPECIFICATIONS

- Handle:** Plastic, with media indication according to EN13792
- Hose nozzle:** Fixed plastic (can be unscrewed by hand, thread: male G3/8)
- Headwork:** Rubber (wrist action lever: ceramic)
- Opening/closing function:** 2 x 360° (wrist action lever: 90°)
- Temperature range:** 0-65°C
- Max. working pressure:** 10 bar / 147 psi
- Test pressure:** 1 x working pressure
- Weight:** 2.3 kg

## MATERIALS WITH MEDIA CONTACT

- Metals:** Brass
- Plastics:** PP, SPX (hose)
- Sealing:** EPDM
- Lubricant:** Silicone based
- Ceramics:** Al<sub>2</sub>O<sub>3</sub> 96% (wrist action lever)

## ORDERING INFORMATION

For standard configuration please refer to the item numbers below.

- Other options:
- aerator
  - removable plastic hose nozzle
  - integrated non-return valve
  - alternative hose inlet connection / without a hose
  - other inlet options (type, length)
  - national approvals
  - WPH (Water Potable Hot)
  - WNH (Water Non-Potable Hot)

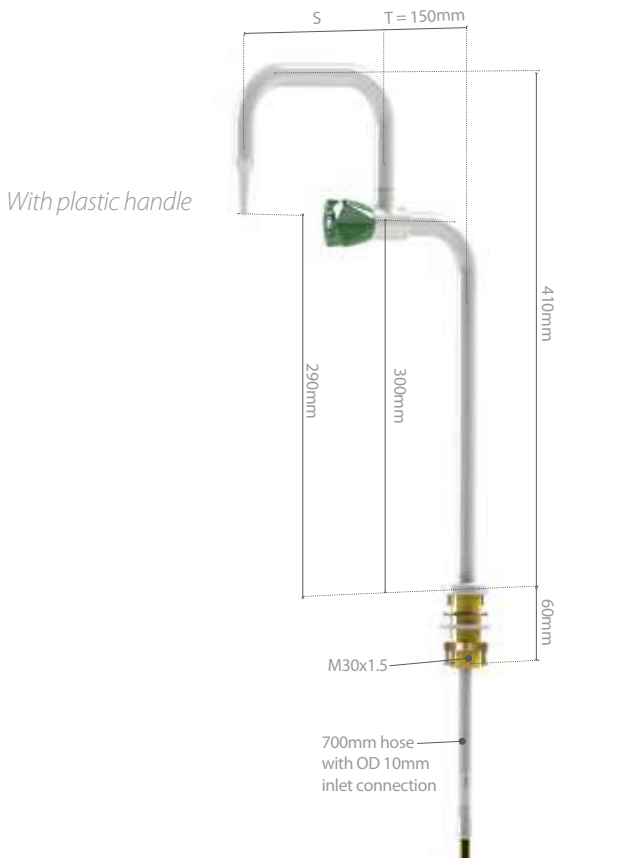
BROEN UNIFLEX™ FITTINGS FOR WATER

Media	S = 300mm	S = 400mm
Potable water, cold	2533 087 1001-52B	2533 130 1001-52B
Non-potable water, cold	2533 087 1007-52B	2533 130 1007-52B



Media	S = 300mm	S = 400mm
Potable water, cold	2533 151 1001-52B	2533 152 1001-52B
Non-potable water, cold	2533 151 1007-52B	2533 152 1007-52B

For further information and mounting instructions please refer to [www.BROEN.com](http://www.BROEN.com) or contact your local BROEN LAB representative.



**SPECIFICATIONS**

- Handle:** Plastic, with media indication according to EN13792
- Spout:** Full swivel action
- Hose nozzle:**  
U-shape - fixed plastic (can be unscrewed by hand)  
S-shape - removable plastic
- Headwork:** Rubber (wrist action lever: ceramic)
- Opening/closing function:** 2 x 360° (wrist action lever: 90°)
- Temperature range:** 0-65°C
- Max. working pressure:** 10 bar / 147 psi
- Test pressure:** 1 x working pressure
- Weight:** 2 kg

**MATERIALS WITH MEDIA CONTACT**

- Metals:** Brass
- Plastics:** PP, PTFE, SPX (hose)
- Sealing:** EPDM
- Lubricant:** Silicone based
- Ceramics:** Al<sub>2</sub>O<sub>3</sub> 96% (wrist action lever)

**ORDERING INFORMATION**

For standard configuration please refer to the item numbers below.

- Other options:
- aerator
  - removable plastic hose nozzle (U-shape)
  - wrist action lever
  - integrated non-return valve
  - T = 200mm
  - alternative hose inlet connection / without a hose
  - other inlet options (type, length)
  - national approvals
  - WPH (Water Potable Hot)
  - WNH (Water Non-Potable Hot)



**Model:** Plastic handle U-shape, fixed nozzle

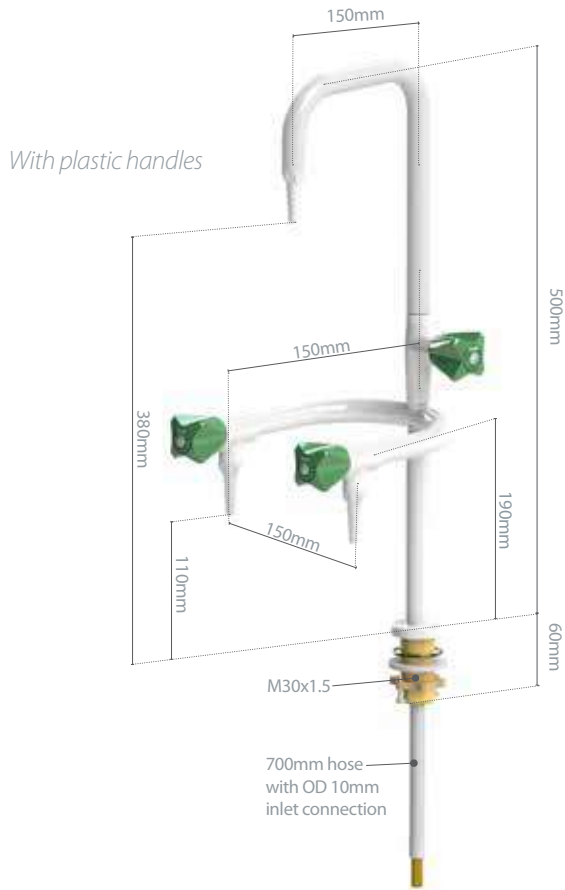
Media	S = 150mm	S = 200mm
Potable water, cold	2533 141 1001-52B	2533 142 1001-52B
Non-potable water, cold	2533 141 1007-52B	2533 142 1007-52B

**Model:** Plastic handle S-shape, removable nozzle

Media	S = 150mm	S = 200mm
Potable water, cold	2533 143 1001-52B	2533 144 1001-52B
Non-potable water, cold	2533 143 1007-52B	2533 144 1007-52B

For further information and mounting instructions please refer to [www.BROEN.com](http://www.BROEN.com) or contact your local BROEN LAB representative.

# THREE VALVE BENCH MOUNTED FITTING



## SPECIFICATIONS

- Handle:** Plastic, with media indication according to EN13792
- Spout:** Full swivel action
- Hose nozzle:** Fixed plastic (can be unscrewed by hand from angle valves, thread: male G3/8)
- Headwork:** Rubber (wrist action lever: ceramic)
- Opening/closing function:** 2 x 360° (wrist action lever: 90°)
- Temperature range:** 0-65°C
- Max. working pressure:** 10 bar / 147 psi
- Test pressure:** 1 x working pressure
- Weight:** 3 kg

## MATERIALS WITH MEDIA CONTACT

- Metals:** Brass
- Plastics:** PP, PTFE, SPX (hose)
- Sealing:** EPDM
- Lubricant:** Silicone based
- Ceramics:** Al<sub>2</sub>O<sub>3</sub> 96% (wrist action lever only)
- Solder:** DIN L-Ag55:Sn

## ORDERING INFORMATION

For standard configuration please refer to the item numbers below.

Other options:

- aerator
- removable plastic hose nozzle
- integrated non-return valve
- alternative hose inlet connection / without a hose
- other inlet options (type, length)
- national approvals
- WPH (Water Potable Hot)
- WNH (Water Non-Potable Hot)

With wrist action levers



Model: Plastic handle

BROEN UNIFLEX™ FITTINGS FOR WATER

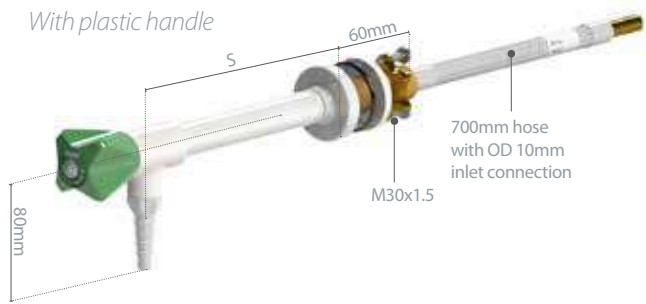
Media	S = 150mm
Potable water, cold	2533 094 1001-52B
Non-potable water, cold	2533 094 1007-52B

Model: Wrist action lever



Media	S = 150mm
Potable water, cold	2533 096 1001-52B
Non-potable water, cold	2533 096 1007-52B

For further information and mounting instructions please refer to [www.BROEN.com](http://www.BROEN.com) or contact your local BROEN LAB representative.



With plastic handle

**SPECIFICATIONS**

- Handle:** Plastic, with media indication according to EN13792
- Hose nozzle:** Fixed plastic (can be unscrewed by hand, thread: male G3/8)
- Headwork:** Rubber (wrist action lever: ceramic)
- Opening/closing function:** 2 x 360° (wrist action lever: 90°)
- Temperature range:** 0-65°C
- Max. working pressure:** 10 bar / 147 psi
- Test pressure:** 1 x working pressure
- Weight:** 1.0 kg

**MATERIALS WITH MEDIA CONTACT**

- Metals:** Brass
- Plastics:** PP, SPX (hose)
- Sealing:** EPDM
- Lubricant:** Silicone based
- Ceramics:** Al<sub>2</sub>O<sub>3</sub> 96% (wrist action lever only)

**ORDERING INFORMATION**

For standard configuration please refer to the item numbers below.

- Other options:
- aerator
  - removable plastic hose nozzle
  - integrated non-return valve
  - alternative hose inlet connection / without a hose
  - other inlet options (type, length)
  - national approvals
  - WPH (Water Potable Hot)
  - WNH (Water Non-Potable Hot)



With wrist action lever

BROEN UNIFLEX™ FITTINGS FOR WATER

Model: Plastic handle



Media	S = 150mm	S = 200mm
Potable water, cold	2533 136 1001-52B	2533 137 1001-52B
Non-potable water, cold	2533 136 1007-52B	2533 137 1007-52B

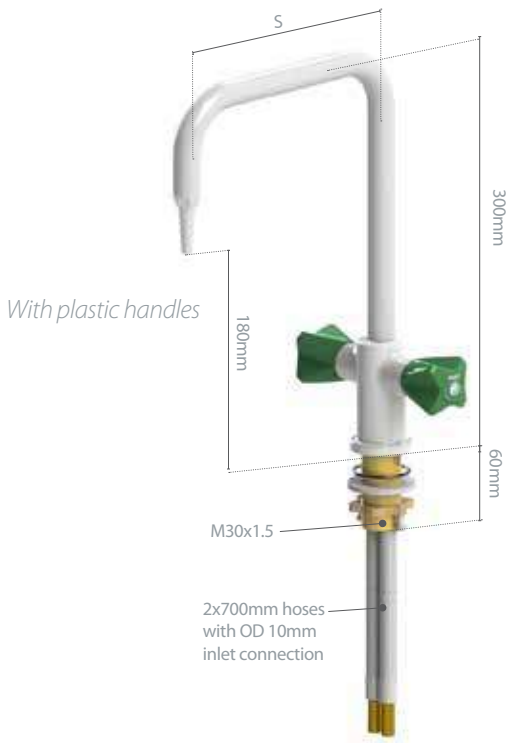
Model: Wrist action lever



Media	S = 150mm	S = 200mm
Potable water, cold	2533 138 1001-52B	2533 139 1001-52B
Non-potable water, cold	2533 138 1007-52B	2533 139 1007-52B

For further information and mounting instructions please refer to [www.BROEN.com](http://www.BROEN.com) or contact your local BROEN LAB representative.

# TWO HANDLE BENCH MOUNTED ONE HOLE MIXER WITH SWIVEL SPOUT



With plastic handles

## SPECIFICATIONS

- Handle:** Plastic, with media indication according to EN13792
- Spout:** Full swivel action
- Hose nozzle:** Fixed plastic (can be unscrewed by hand, thread: male G3/8)
- Headwork:** Rubber (wrist action lever: ceramic)
- Opening/closing function:** 2 x 360° (wrist action lever: 90°)
- Temperature range:** 0-65°C
- Max. working pressure:** 10 bar / 147 psi
- Test pressure:** 1 x working pressure
- Weight:** 1.8 kg

## MATERIALS WITH MEDIA CONTACT

- Metals:** Brass
- Plastics:** PP, PTFE, SPX (hose)
- Sealing:** EPDM
- Lubricant:** Silicone based
- Ceramics:** Al<sub>2</sub>O<sub>3</sub> 96% (wrist action lever only)

## ORDERING INFORMATION

For standard configuration please refer to the item numbers below.

- Other options:
- aerator
  - removable plastic hose nozzle
  - integrated non-return valve
  - fixed spout
  - alternative hose inlet connection / without a hose
  - OD 10mm Cu pipes
  - other inlet options
  - national approvals



With wrist action levers

Model: Plastic handle



BROEN UNIFLEX™ FITTINGS FOR WATER

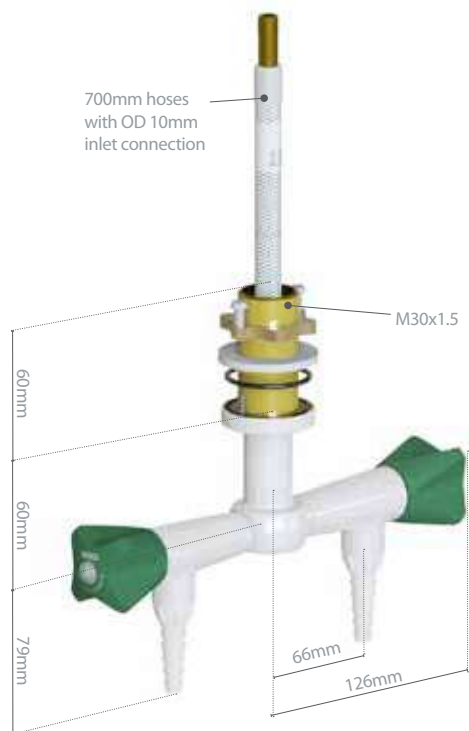
Media	S = 150mm	S = 200mm	S = 250mm	S = 300mm
Potable water, cold/hot	2536 039 1039-52B	2536 045 1039-52B	2536 046 1039-52B	2536 047 1039-52B
Non-potable water, cold/hot	2536 039 1040-52B	2536 045 1040-52B	2536 046 1040-52B	2536 047 1040-52B

Model: Wrist action lever



Media	S = 150mm	S = 200mm	S = 250mm	S = 300mm
Potable water, cold/hot	2536 041 1039-52B	2536 048 1039-52B	2536 049 1039-52B	2536 050 1039-52B
Non-potable water, cold/hot	2536 041 1040-52B	2536 048 1040-52B	2536 049 1040-52B	2536 050 1040-52B

For further information and mounting instructions please refer to [www.BROEN.com](http://www.BROEN.com) or contact your local BROEN LAB representative.



With plastic handles

**SPECIFICATIONS**

- Handle:** Plastic, with media indication according to EN13792
- Hose nozzle:** Fixed plastic (can be unscrewed by hand, thread: male G3/8)
- Headwork:** Rubber
- Opening/closing function:** 2 x 360°
- Temperature range:** 0-65°C
- Max. working pressure:** 10 bar / 147 psi
- Test pressure:** 1 x working pressure
- Weight:** 2.5 kg

**MATERIALS WITH MEDIA CONTACT**

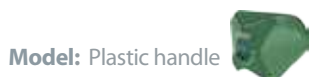
- Metals:** Brass
- Plastics:** PP, SPX (hose)
- Sealing:** EPDM
- Lubricant:** Silicone based

**ORDERING INFORMATION**

For standard configuration please refer to the item numbers below.

Other options:

- aerator
- removable plastic hose nozzle
- wrist action lever
- models with single valve, 2 valves in 90° and 4 valves
- alternative hose inlet connection / without a hose
- other inlet options (type, length)
- national approvals
- WPH (Water Potable Hot)
- WNH (Water Non-potable Hot)



Media	2-valve 180°
Potable water, cold	2530 064 1001-52B
Non-potable water, cold	2530 064 1007-52B

For further information and mounting instructions please refer to [www.BROEN.com](http://www.BROEN.com) or contact your local BROEN LAB representative.



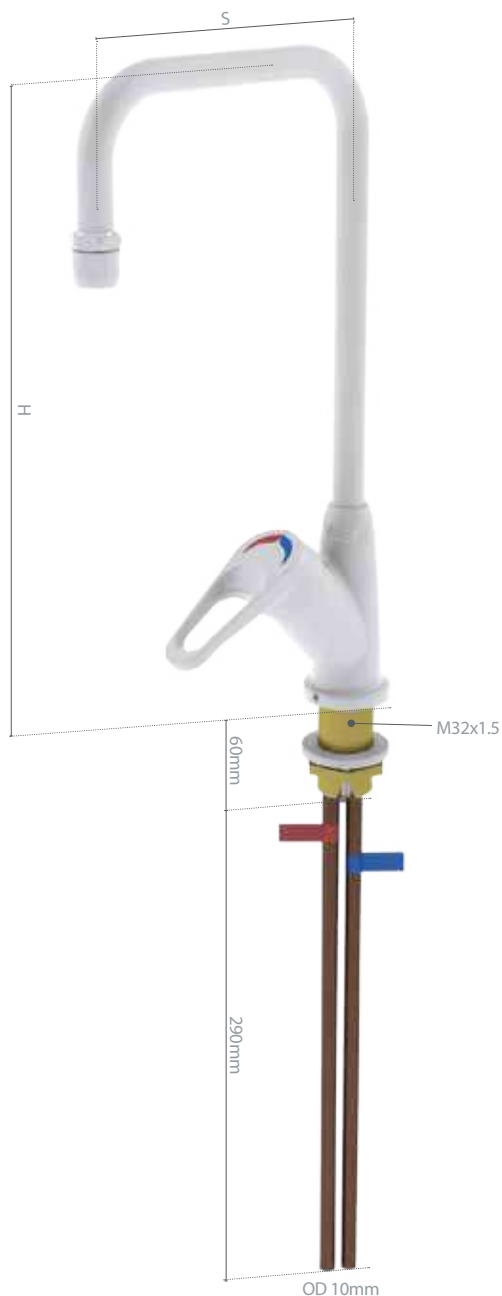


**BROEN UNIFLEX™ FITTINGS FOR WATER**





**BROEN UNIFLEX™ FITTINGS FOR WATER**



**SPECIFICATIONS**

- Handle:** Metal, BROEN POLYCOAT powder coated
- Spout:** Swivel action
- Hose nozzle:** Aerator
- Cartridge:** Ceramic (temperature and flow limiting type)
- Opening/closing function:** 25°, mixing function: ±45°
- Temperature range:** 0°C - 90°C
- Max. working pressure:** 10 bar / 147 psi
- Test pressure:** 1 x working pressure
- Weight:** 2.4 kg

**MATERIALS WITH MEDIA CONTACT**

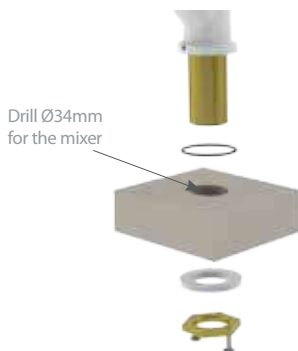
- Metals:** Brass
- Plastics:** POM, PTFE, SPX (hose)
- Sealing:** EPDM
- Lubricant:** Silicone based
- Ceramics:** Al<sub>2</sub>O<sub>3</sub> 96%

**ORDERING INFORMATION**

For standard configuration please refer to the item numbers below.

Other options:  
- removable hose nozzle

**MOUNTING INFORMATION**



**Media**

**H=360mm, S = 180mm**

**H=300mm, S=200mm**



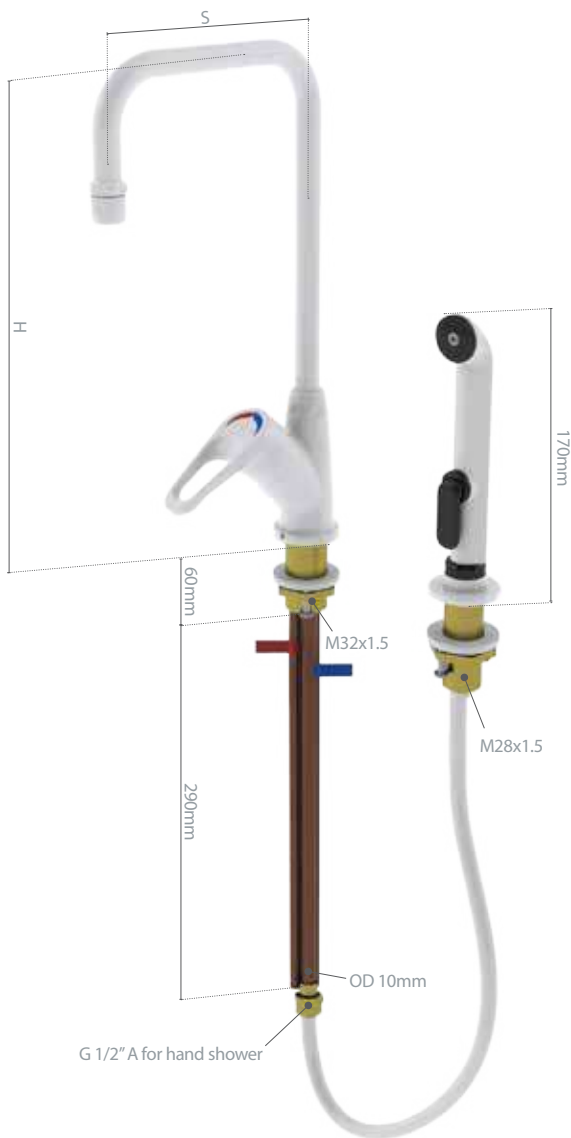
Short Handle

15 304.009

15 304.459

For further information and mounting instructions please refer to [www.BROEN.com](http://www.BROEN.com) or contact your local BROEN LAB representative.

# SINGLE HANDLE MIXER BENCH MOUNTED WITH HAND SHOWER



## SPECIFICATIONS

**Handle:** Metal, BROEN POLYCOAT powder coated

**Spout:** Swivel action

**Hose nozzle:** Aerator

**Cartridge:** Ceramic (temperature and flow limiting type)

**Opening/closing function:**

- **mixer:** 25°, mixing function: ±45°
- **hand shower** is operated when mixer's handle is in open position

**Temperature range:** 0°C - 90°C

**Max. working pressure:** 10 bar / 147 psi

**Test pressure:** 1 x working pressure

**Weight:** 3.0 kg

## MATERIALS WITH MEDIA CONTACT

**Metals:** Brass

**Plastics:** POM, PTFE, SPX (hose), ABS

**Sealing:** EPDM

**Lubricant:** Silicone based

**Ceramics:** Al<sub>2</sub>O<sub>3</sub> 96%

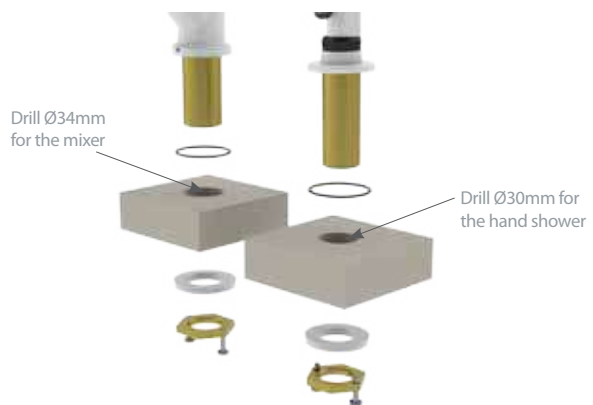
## ORDERING INFORMATION

For standard configuration please refer to the item numbers below.

Other options:

- removable hose nozzle

## MOUNTING INFORMATION



BROEN UNIFLEX™ FITTINGS FOR WATER

Media

H=360mm, S = 180mm

H=300mm, S=200mm



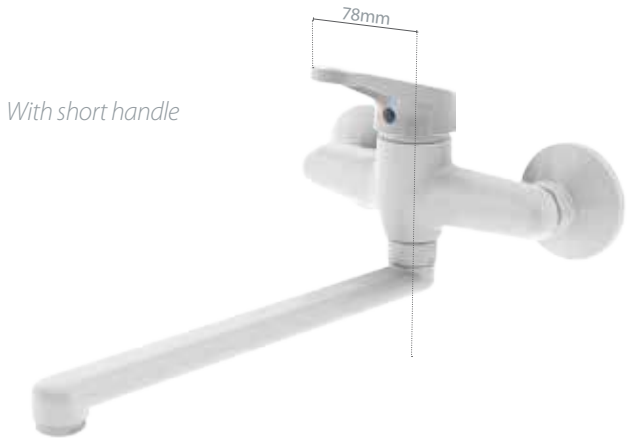
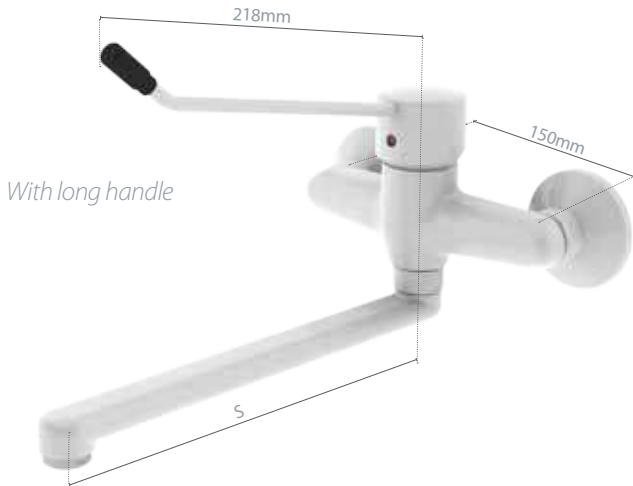
Short Handle

15 305.009

15 305.459

For further information and mounting instructions please refer to [www.BROEN.com](http://www.BROEN.com) or contact your local BROEN LAB representative.

# ONE HANDLE TWO HOLE MIXER WITH SWIVEL SPOUT



BROEN UNIFLEX™ FITTINGS FOR WATER

## SPECIFICATIONS

- Handle:** Metal, BROEN POLYCOAT powder coated
- Spout:** Swivel action
- Hose nozzle:** Aerator
- Cartridge:** Ceramic (temperature and flow limiting type)
- Opening/closing function:** 25°, mixing function: ±45°
- Temperature range:** 0°C - 90°C
- Max. working pressure:** 10 bar / 147 psi
- Test pressure:** 1 x working pressure
- Inlets:** Eccentric couplings with male G1/2
- Weight:** 1.5 kg

## MATERIALS WITH MEDIA CONTACT

- Metals:** Brass
- Plastics:** POM, PTFE, SPX (hose)
- Sealing:** EPDM
- Lubricant:** Silicone based
- Ceramics:** Al<sub>2</sub>O<sub>3</sub> 96%



## ORDERING INFORMATION

For standard configuration please refer to the item numbers below.

- Other options:
- removable hose nozzle
  - bench mounted model
  - different inlet connections  
(with BROEN UniFlex™ rear wall connection, lead-in. etc)

Media:



Model	S = 200mm	S = 250mm	S = 300mm
 Short Handle	2535 010 1035	2535 004 1035	2535 016 1035
 Long Handle	2535 007 1035	2535 001 1035	2535 013 1035

For further information and mounting instructions please refer to [www.BROEN.com](http://www.BROEN.com) or contact your local BROEN LAB representative.

# ONE HANDLE MIXER WITH SWIVEL SPOUT



## SPECIFICATIONS

- Handle:** Metal, BROEN POLYCOAT powder coated
- Spout:** Full swivel action (110° limited swivel or no swivel as an option, should be mentioned when ordering)
- Hose nozzle:** Removable plastic (aerator included)
- Cartridge:** Ceramic (temperature and flow limiting type)
- Opening/closing function:** 25°, mixing function: ±45°
- Temperature range:** 0°C - 65°C
- Max. working pressure:** 10 bar / 147 psi
- Weight:** 2.8 kg

## MATERIALS WITH MEDIA CONTACT

- Metals:** Brass
- Plastics:** PP, POM, PTFE, SPX (hose)
- Sealing:** EPDM
- Lubricant:** Silicone based
- Ceramics:** Al<sub>2</sub>O<sub>3</sub> 96%

## ORDERING INFORMATION

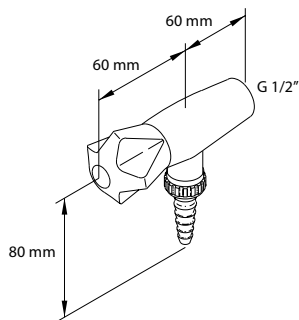
For standard configuration please refer to the item numbers below.



BROEN UNIFLEX™ FITTINGS FOR WATER

Model	S = 200mm
Short Handle	G350328135
Long Handle	G350318135

For further information and mounting instructions please refer to [www.BROEN.com](http://www.BROEN.com) or contact your local BROEN LAB representative.



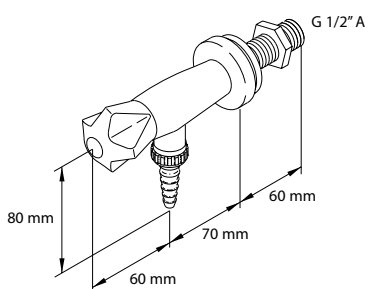
**No. 18 204.009** Valve for wall mounting with detachable nozzle.

TO BE DISCONTINUED, AVAILABLE ON REQUEST

Weight: 0.6 kg

**Materials with medium contact:**

Metals: Brass and nickel  
 Sealing: EPDM  
 Lubricant: Based on silicone



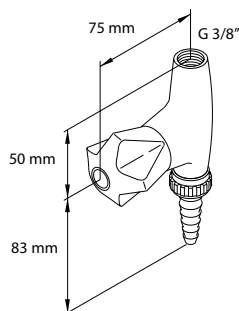
**No. 18 002.009** Valve for wall mounting with detachable nozzle.

TO BE DISCONTINUED, AVAILABLE ON REQUEST

Weight: 0.9 kg

**Materials with medium contact:**

Metals: Brass and nickel  
 Sealing: EPDM  
 Lubricant: Based on silicone  
 Glue: Loctite



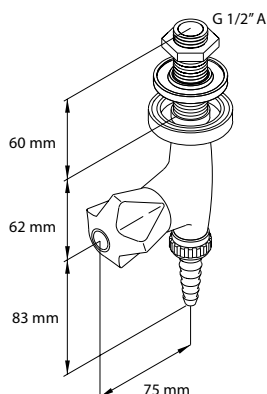
**No. 18 010.009** Valve for suspended or wall mounting with detachable nozzle.

TO BE DISCONTINUED, AVAILABLE ON REQUEST

Weight: 0.6 kg

**Materials with medium contact:**

Metals: Brass and nickel  
 Sealing: EPDM  
 Lubricant: Based on silicone



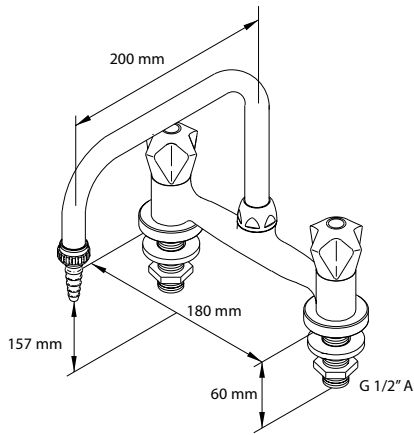
**No. 18 340.009** Valve for suspended or wall mounting with detachable nozzle.

TO BE DISCONTINUED, AVAILABLE ON REQUEST

Weight: 0.9 kg

**Materials with medium contact:**

Metals: Brass and nickel  
 Sealing: EPDM  
 Lubricant: Based on silicone  
 Glue: Loctite



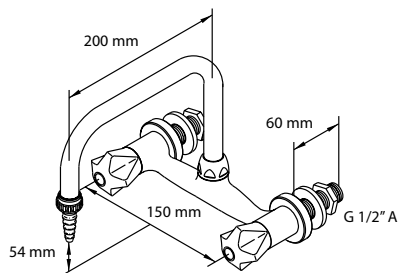
**No. 08 500.009** Mixer for bench mounting with swivel spout and detachable nozzle.

TO BE DISCONTINUED, AVAILABLE ON REQUEST

Weight: 2.2 kg

**Materials with medium contact:**

Metals:	Brass and nickel
Sealing:	EPDM
Lubricant:	Based on silicone
Solder:	DIN L-Ag 55: Sn



**No. 18 520.009** Mixer for wall mounting, with swivel spout and detachable nozzle. 150mm between inlets.

TO BE DISCONTINUED, AVAILABLE ON REQUEST

**No. 08 520.009** Mixer for wall mounting, with swivel spout and detachable nozzle. 180mm between inlets.

TO BE DISCONTINUED, AVAILABLE ON REQUEST

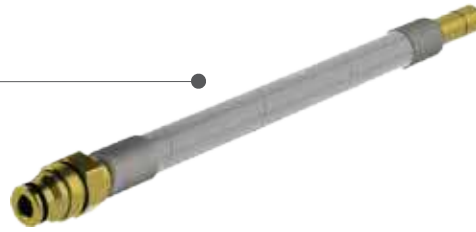
Weight: 2.2 kg

**Materials with medium contact:**

Metals:	Brass and nickel
Sealing:	EPDM
Lubricant:	Based on silicone
Glue:	Loctite
Solder:	DIN L-Ag 55: Sn



BROEN UniFlex™ flexible hoses



BROEN LAB offers BROEN UniFlex™ hoses as an easy way to make the installation in the laboratory where safety and efficiency are required. BROEN UniFlex™ hoses are the ideal solution where there is a higher requirement for flexibility. Installation with flexible hoses saves you time and labor - in other words reduced installation costs.

A wide range of fittings and lengths available for BROEN UniFlex™ hoses enables customers to choose the perfect hose for their application.

BROEN UniFlex™ hoses for water are manufactured of soft cross-linked polyethylene (SPX), which is approved for use with drinking water and meets all hygienic requirements. From the outside the hose is secured by a Stainless Steel braiding that ensures long service life and durability.


If you still prefer a standard way of installation with Cu, Stainless Steel, or PEX-pipes, BROEN LAB offers a wide range of connection fittings and adaptors for pipes of different dimensions.


BROEN UniFlex™ connection fittings and adaptors for Cu, Stainless Steel and PEX pipes








**INLET CONNECTIONS**  
93 V XX XX XXXX


G3/8" A fixed connection (Code 32)  



G1/2" A fixed connection (Code 31)  



G3/4" A fixed connection (Code 33)  



G3/8" union connection (Code 41)  



G1/2" union connection (Code 40)  



G3/4" union connection (Code 42)  



OD10mm connection for compression fittings (Code 10)  



OD12mm connection for compression fittings (Code 12)  


OD15mm connection for compression fittings (Code 15)  



OD15mm connection for press fittings (Code 65)  



Straight BROEN UniFlex™ connection with EPDM o-ring (Code 20)  



45° BROEN UniFlex™ connection with EPDM o-ring (Code 25)  



90° BROEN UniFlex™ connection with EPDM o-ring (Code 30)  


**OUTLET CONNECTIONS**  
93 V XX XX XXXX

Straight BROEN UniFlex connection with EPDM o-ring (Code 20)  


45° BROEN UniFlex connection with EPDM o-ring (Code 25)  



90° BROEN UniFlex connection with EPDM o-ring (Code 30)  



M10x1mm short connection with EPDM o-ring (Code 51)  


**PLEASE NOTE:**  
M10 connections can only be used to mixer and multimedia fittings

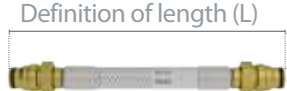
\*All O-rings are lubricated with silicone based lubricant


**HOSE**  
93 V XX XX XXXX

SPX hose with braiding in stainless steel  


Marking for water with Part no. and Media indication  


**HOSE LENGTHS**

Definition of length (L)  


Definition of length (L)  


If 45° and 90° elbows occur on the same hose, it will as default be mounted in U-form

**\*Standard lengths of hoses (L):**

- 0500 = 500mm
- 0700 = 700mm
- 1000 = 1000mm
- 1200 = 1200mm
- 1500 = 1500mm
- 2000 = 2000mm
- 2500 = 2500mm
- 3000 = 3000mm


Length tolerance of hoses:  
L = ≤400mm (-0, +10mm)  
L = 401mm to 1000mm (-0, +20mm)  
L = >1000mm (-0, +30mm)

**SPECIFICATIONS**

**Inner hose material:** SPX (soft PEX)  
**Braiding:** Stainless steel with one green stripe  
**Hose materials with media contact:** SPX, brass, EPDM and silicone based lubricant  
**Inside diameter:** 8.2mm  
**Outside diameter:** 12mm  
**Max. working pressure:** 10 bar  
**Max. working temperature:** 90°C  
**Bending radius (inner):** ≥ 40mm  
**Min. length with connections:** 160mm

**EXAMPLE OF HOSE CONFIGURATION**

1200mm hose with OD 12mm inlet connection and straight UniFlex™ outlet connection



**93V12201200**

\* Other lengths are available on request

**ORDERING INFORMATION**



**Complete set with plastic handle and media indication**

- No. 191501401001 (WPC)
- No. 191501401002 (WPH)
- No. 191501401007 (WNC)
- No. 191501401008 (WNH)

**1. Media button**

- No. 1915710 (WPC)
- No. 1915711 (WPH)
- No. 1915744 (WNH)
- No. 1915745 (WNC)

**2. Screw**

- No. 97G0033

**3. Plastic ring**

- No. 1915704-4059 (yellow)
- No. 1915704-5168 (green)

**4. Plastic handle**

- No. 1915701-5168 (green)

**5. Rubber headwork**

- No. 1977000

**SPECIFICATIONS**

BROEN UniFlex™ water fittings with plastic handles are delivered with rubber headworks.

Water fittings with rubber headwork offer quick and precise adjustment and a long service life.

**Opening/closing function:** 2 x 360° turn

**Media:** Hot/cold water

**Temperature range:** Please refer to the individual fitting

**Max. working pressure:** 10 bar / 147 psi

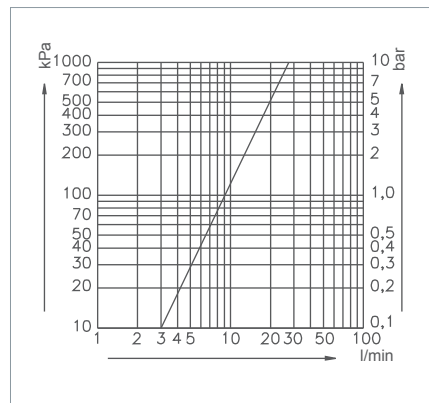
**MATERIALS WITH MEDIA CONTACT**

**Metals:** Brass

**Sealing:** EPDM

**Lubricant:** Silicone based

**FLOW CHART**



**ORDERING INFORMATION**



**Complete set with ceramic headwork, metal handle and media indications WPC and WPH:**

**LEFT TURN CLOSING**

No. 19 164.289

**RIGHT TURN CLOSING**

No. 19 164.299

**1. Media buttons**

- No. 1915710 (WPC)
- No. 1915711 (WPH)
- No. 1915744 (WNH)
- No. 1915745 (WNC)

**2. Screw**

No. 97G0033

**3. Plastic ring**

- No. 1915705-4059 (yellow)
- No. 1915705-5168 (green)

**3. Plastic ring**

- No. 1915704-4059 (yellow)
- No. 1915704-5168 (green)

**4. Wrist action lever (zone 3)**

No. 1916433G-5168 (green)

**5. Ceramic headwork**

No. 1976400

**5. Ceramic headwork**

No. 1976500

**SPECIFICATIONS**

BROEN UniFlex™ water fittings with wrist action leavers are delivered with ceramic headworks. This headwork is specially designed to fit BROEN wrist action lever.

**Opening/closing function:** 90° turn

**Media:** Hot/cold water

**Temperature range:** Please refer to the individual fitting

**Max. working pressure:** 10 bar / 147 psi

**Test pressure:** 1 x working pressure

**MATERIALS WITH MEDIA CONTACT**

**Metals:** Brass

**Sealing:** EPDM, silicone

**Plastics:** POM

**Lubricant:** Silicone based

**Ceramics:** Al-oxyd 96%

**FLOW CHART**

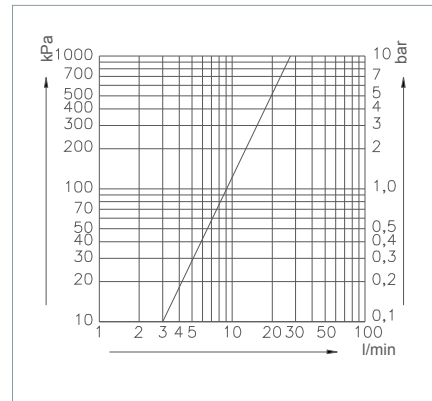
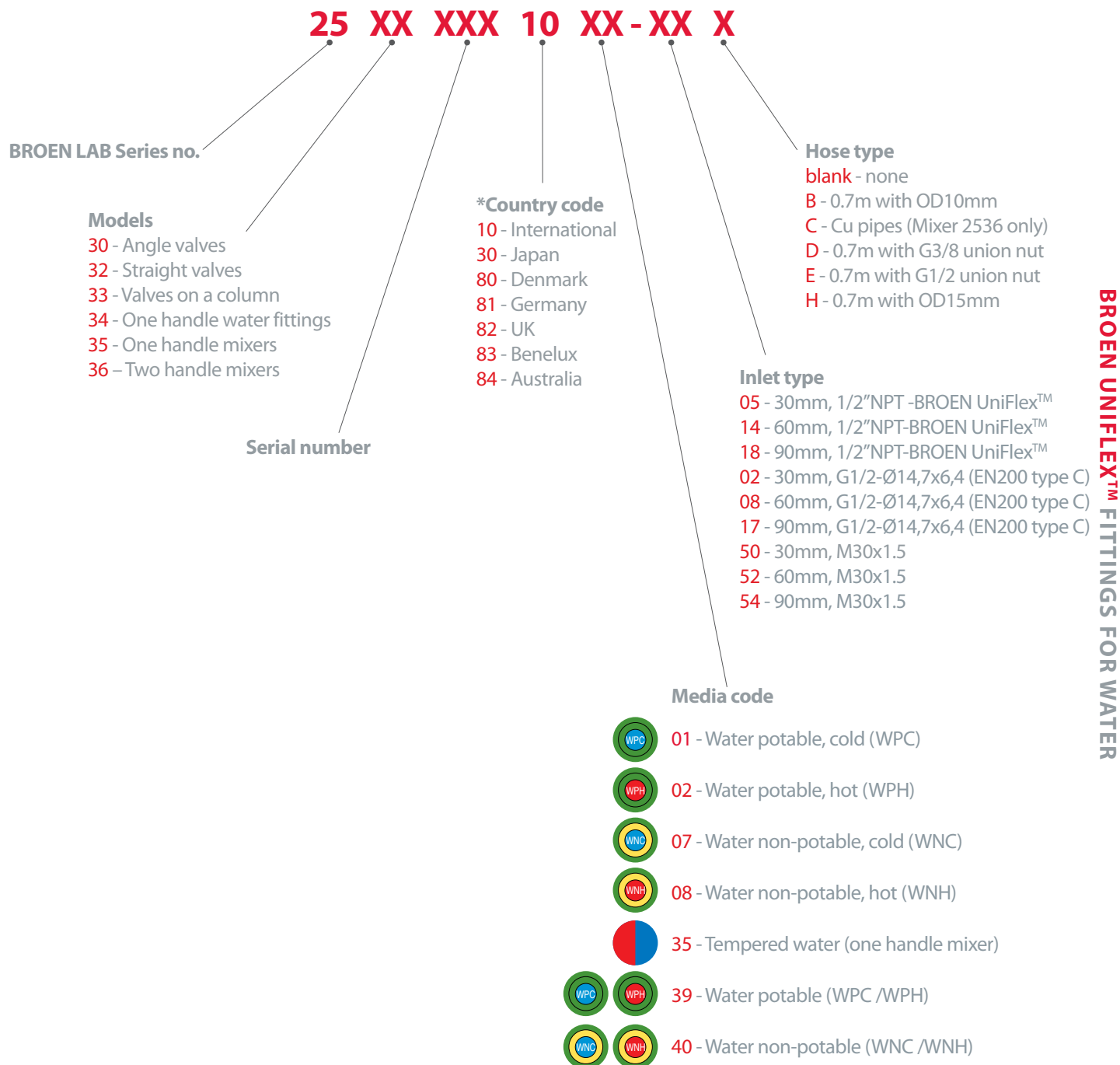


Illustration	Description	BROEN item No.
	Adaptor for aerator M19x1 - M22x1	2539 005 1001
	Aerator Thread: M22x1 Thread: female G1/2	2539 006 1001 19 025 009
	Adaptor for removable plastic nozzle M19x1 - G 1/2 G3/8 - G1/2	2539 003 1001 2539 048 1001
	Removable plastic nozzle (thread: female G1/2)	2539 004 1001
	Fixed plastic nozzle Thread: M19x1 Thread: G3/8	2539 010 1001 2539 040 1001
	Mounting set for G1/2 connection	19141000
	1/2" NPT inlet with female BROEN UniFlex™ connection (incl. O-ring)  L=30mm L=60mm L=90mm	1550233V 1527454V 1550246V
	Mounting set for M30x1,5 connection	19 190 000
	Threaded inlet pipe M30x1,5  L=30mm L=60mm L=90mm	1919003 1919002 1919004
	Vacuum pump for water fitting	19198009

Generally, item number for BROEN UniFlex fittings has the following structure:



\* For water some national standards may apply, therefore contact your BROEN LAB representative for more information.

BROEN LAB develops, manufactures and delivers complete range of fittings for professional laboratories. Our know-how and our quality products ensure the precise flow of water, gases and air, from source to user.

BROEN LAB solutions are used by professional users in many kinds of laboratories, from the education and health sectors to industry in general. Our products are already an integrated part of many workplaces. From fittings for purified water, nitrogen, vacuum and compressed air, to the control and regulation of pure gases in critical applications such as a gas chromatography and spectrometry.

Our extensive knowledge allows us to continually develop and optimize our products so that they meet customer needs and specifications. Safety, functionality and quality are an integral part of product design and flexibility. Our insight and understanding of working environments and safety in laboratories allow us to develop custom solutions for projects around the world. Use us to plan your project so we can advise you on laboratory layout and design.

#### HEAD OFFICE

##### **BROEN LAB GROUP**

Skovvej 30 • DK-5610 Assens  
Tel. +45 6471 2095 • Fax +45 6471 2476  
E-mail: lab@broen.com



##### **BROEN LAB GROUP ISO 9001 certification**

In September 1991 BROEN LAB GROUP was certified according to ISO 9001 as one of the first Danish companies. The certification was carried out by Bureau Veritas, Denmark, for our Danish site at Assens.

The quality management system of BROEN LAB GROUP now complies with detailed specifications laid down by the internationally acknowledged EN ISO 9001:2008.

This certification will further contribute to BROEN LAB GROUP's reputation for quality and reliability.

#### INTERNATIONAL OFFICES

##### **BROEN Armaturen GmbH**

Industriestrasse 8 • D - 64579 Gernsheim • Germany  
Tel. +49 6258 9319-0 • Fax +49 6258 51812  
E-mail: info@broen.de

##### **BROEN VALVES Ltd.**

7, Cleton Street Business Park, Cleton Street  
Tipton • West Midlands DY4 7TR • U.K.  
Tel. +44 121 522 4515 • Fax +44 121 522 4535  
E-mail: broenvalves@broen.com

##### **BROEN Singapore Pte. Ltd.**

10 Bukit Batok Crescent #10-02 • The Spire S(658079) • Singapore  
Tel: +65 6298 0662 • Fax: +65 6298 0468  
E-mail: sales@broen.com.sg

[www.broen.com](http://www.broen.com)

BUILDING  
INSTALLA-  
TIONS

BUILDING  
CONTROLS

DISTRICT  
ENERGY

OIL & GAS

LAB &  
EMERGENCY  
SHOWERS

